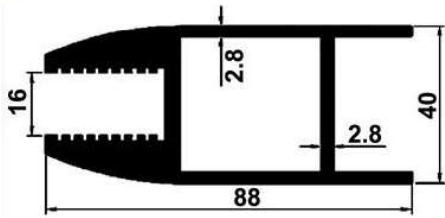
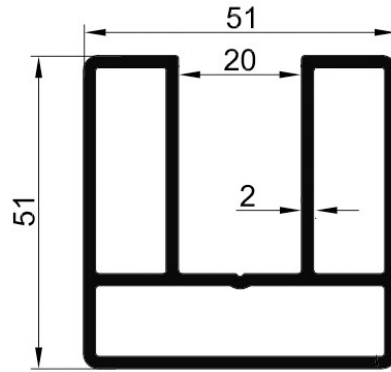


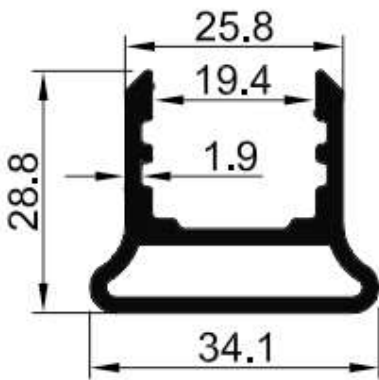
GLASS PROFILE



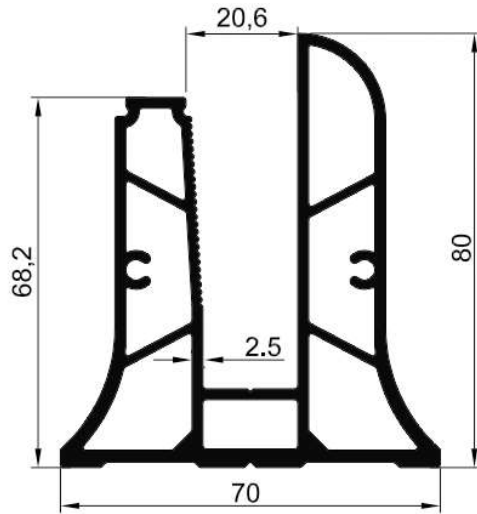
SI NO	SECTION NO.	WEIGHT(KG/M)
1	1100	2.311



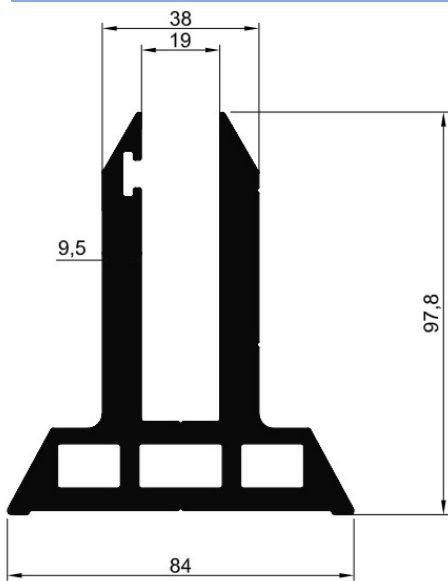
SI NO	SECTION NO.	WEIGHT(KG/M)
1	2450	1.555



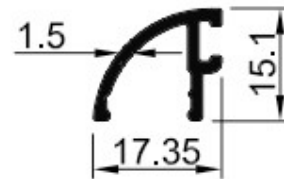
SI NO	SECTION NO.	WEIGHT(KG/M)
1	2624	0.667



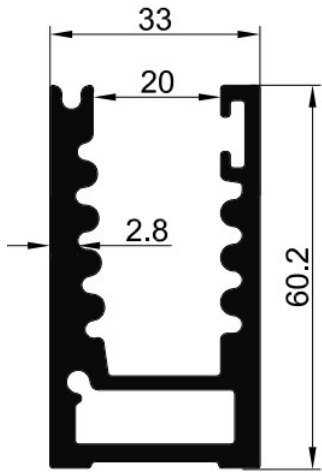
SI NO	SECTION NO.	WEIGHT(KG/M)
1	2626	2.642



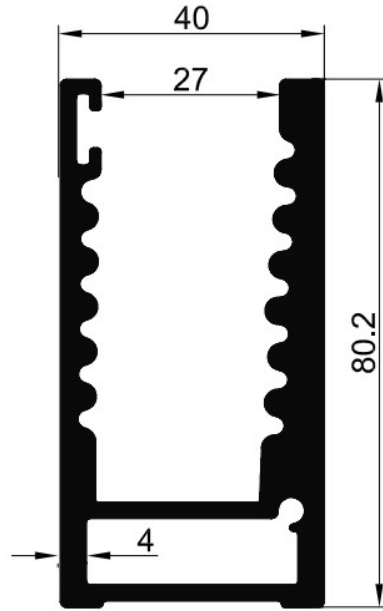
SI NO	SECTION NO.	WEIGHT(KG/M)
1	2628	5.470



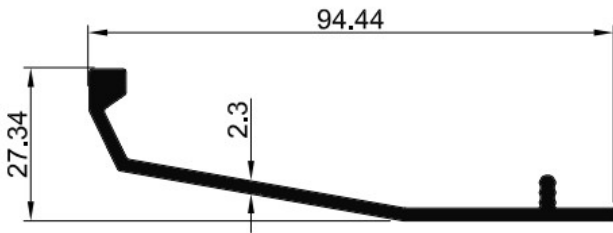
SI NO	SECTION NO.	WEIGHT(KG/M)
1	2627	0.175



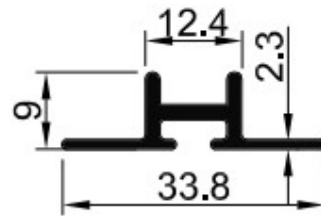
SI NO	SECTION NO.	WEIGHT(KG/M)
1	2630	1.868



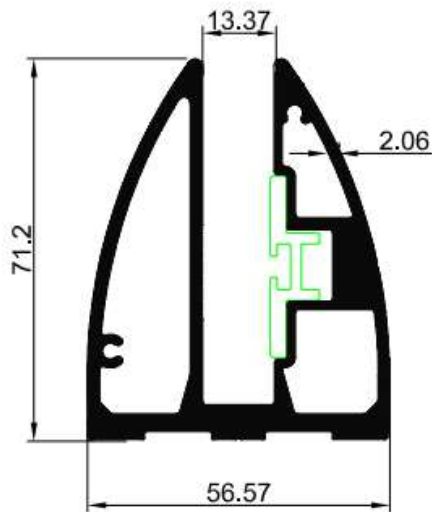
SI NO	SECTION NO.	WEIGHT(KG/M)
1	2632	2.550



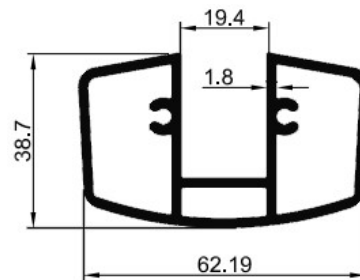
SI NO	SECTION NO.	WEIGHT(KG/M)
1	2634	0.736



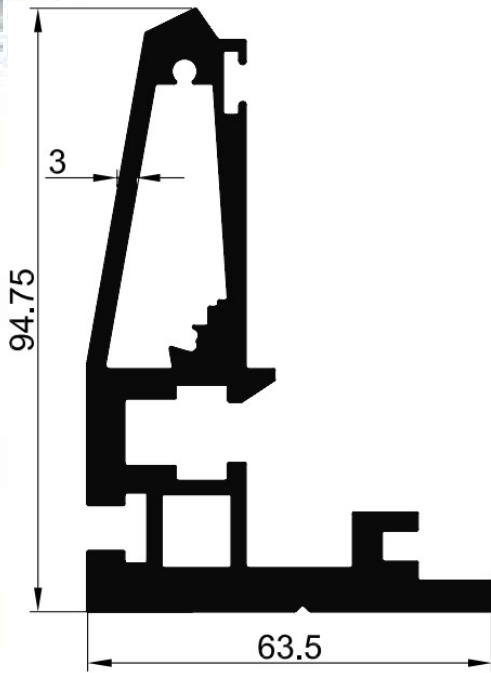
SI NO	SECTION NO.	WEIGHT(KG/M)
1	2636	0.285



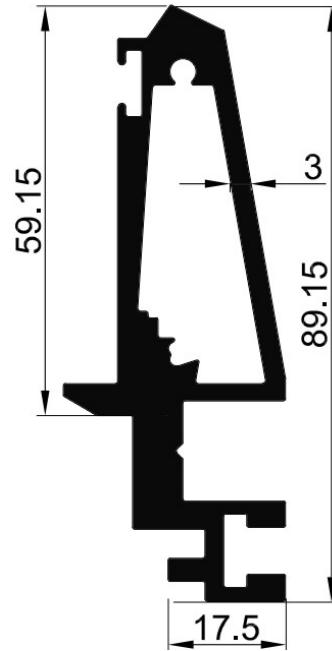
SI NO	SECTION NO.	WEIGHT(KG/M)
1	2638	2.648



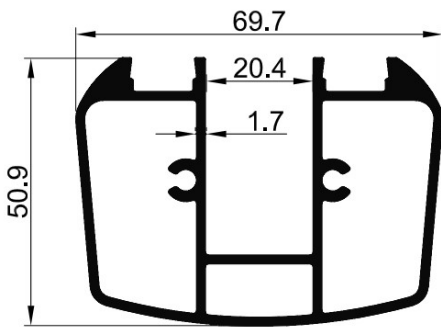
SI NO	SECTION NO.	WEIGHT(KG/M)
1	2640	1.309



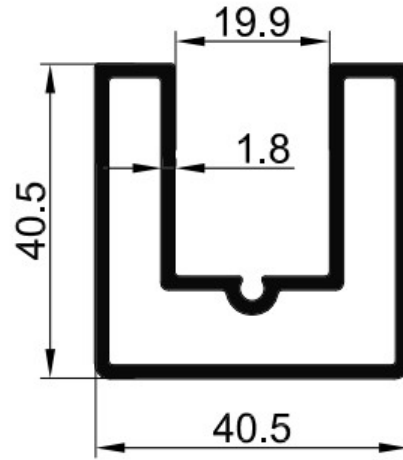
SI NO	SECTION NO.	WEIGHT(KG/M)
1	2644	3.548



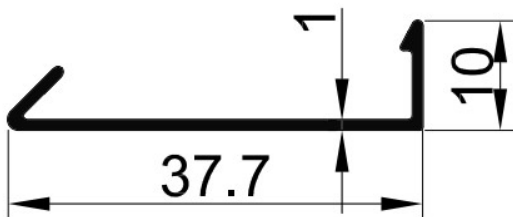
SI NO	SECTION NO.	WEIGHT(KG/M)
1	2646	2.290



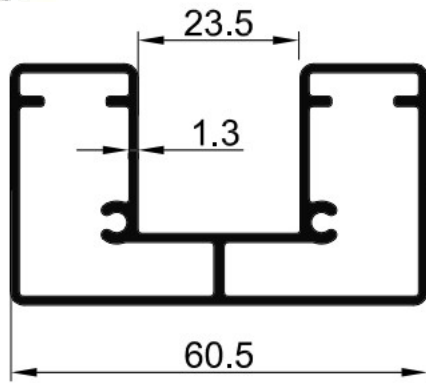
SI NO	SECTION NO.	WEIGHT(KG/M)
1	2648	1.700



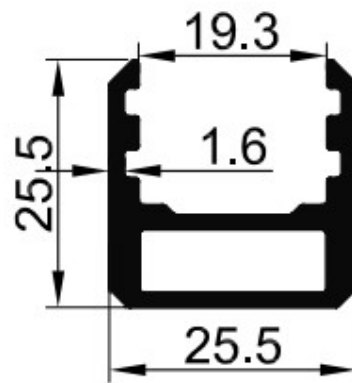
SI NO	SECTION NO.	WEIGHT(KG/M)
1	2692	1.034



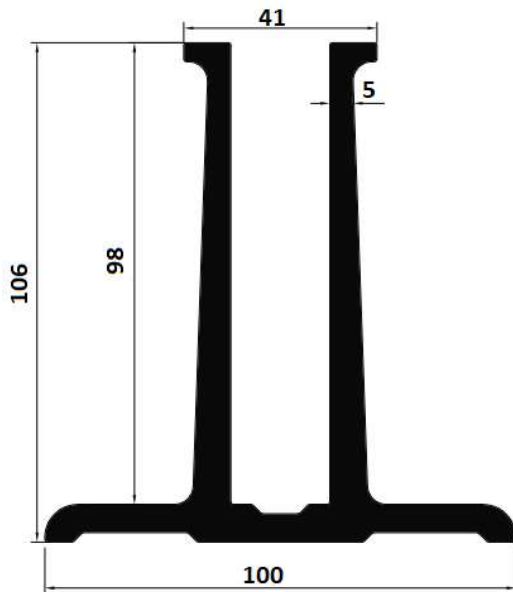
SI NO	SECTION NO.	WEIGHT(KG/M)
1	2690	0.148



SI NO	SECTION NO.	WEIGHT(KG/M)
1	2694	0.977



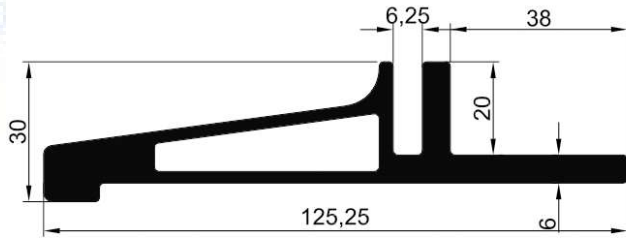
SI NO	SECTION NO.	WEIGHT(KG/M)
1	2696	0.541



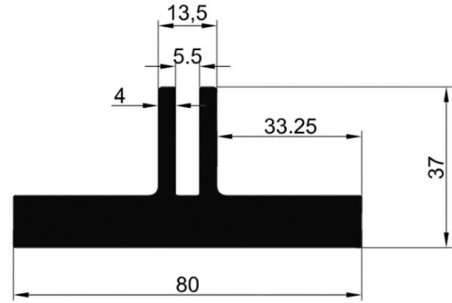
SI NO	SECTION NO.	WEIGHT(KG/M)
1	6008	5.325



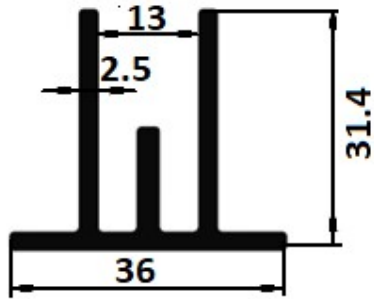
SI NO	SECTION NO.	WEIGHT(KG/M)
1	6011	5.167



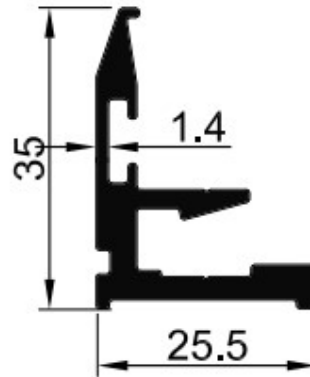
SI NO	SECTION NO.	WEIGHT(KG/M)
1	9066	2.760



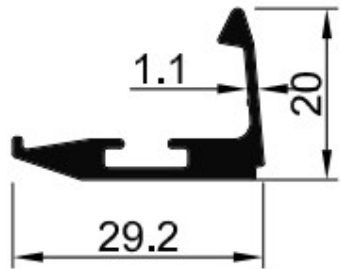
SI NO	SECTION NO.	WEIGHT(KG/M)
1	9067	3.135



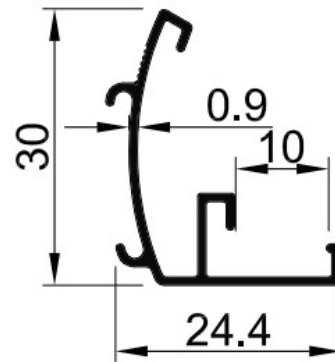
SI NO	SECTION NO.	WEIGHT(KG/M)
1	9065	0.742



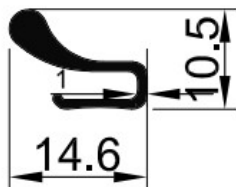
SI NO	SECTION NO.	WEIGHT(KG/M)
1	9201	0.581



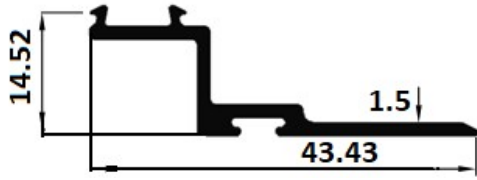
SI NO	SECTION NO.	WEIGHT(KG/M)
1	9203	0.315



SI NO	SECTION NO.	WEIGHT(KG/M)
1	9212	0.202



SI NO	SECTION NO.	WEIGHT(KG/M)
1	9214	0.116



SI NO	SECTION NO.	WEIGHT(KG/M)
1	9210	0.260



SI NO	SECTION NO.	WEIGHT(KG/M)
1	2666	5.425